



EXCLUSIVE DEALER

OF LIUGONG PRODUCTS IN WESTERN CANADA



HYDRIVE

Forklift & Equipment Inc.

Model	Capacity @ 500 mm LC	Power Type	Controller
2025A-S	2,500 kg	Electric	SME

2025A-S

Electric Four Wheel
Pneumatic Tire Forklifts

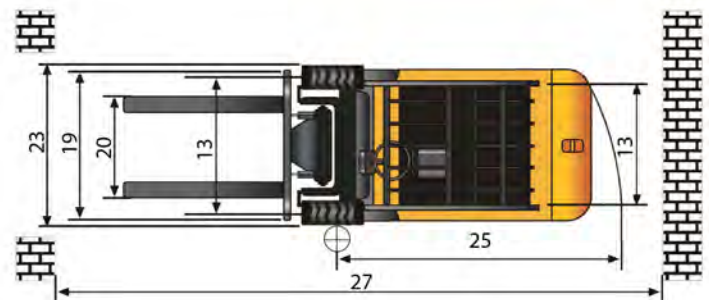
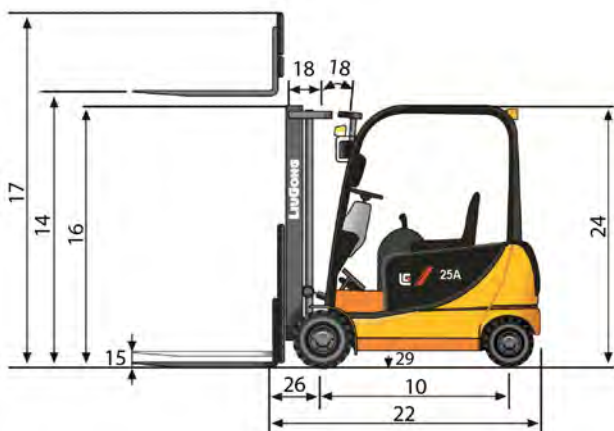


TOUGH WORLD. TOUGH EQUIPMENT.

2025A-S Electric • Four Wheel • Pneumatic Tire Forklifts



General	1	Model			2025A-S
	2	Power Type			Electric
	3	Base Capacity	@ rated load center	kg	2,500
	4	Load Center		mm	500
Weights	5	Service Weight	unloaded with minimum weight battery	kg	3,900
	6	Axle Load	loaded, front / rear	kg	5,698 / 702
	7		unloaded, front / rear	kg	1,648 / 2,252
	8	Tire Type			Pneumatic
	9	Wheels	front / rear		2 / 2
	10	Wheelbase		mm	1,510
	11	Tire Size	front		23x9-10-16PR
	12		rear		18x7-8-14PR
	13	Tread Width	front / rear		970 / 880
Mast	14	Max. Fork Height	with std 2 - stage mast	mm	3,000
	15	Freelift	with std 2 - stage mast	mm	140
	16	Height, Upright Lowered	with std 2 - stage mast	mm	2,055
	17	Height, Upright Extended	with std 2 - stage mast	mm	4,115
	18	Mast Tilt, Fwd / Back	with std 2 - stage mast	deg	6° / 7°
	19	Carriage	width	mm	1,040
	20	Fork Spread	minimum / maximum	mm	222 / 1,010
	21	Fork Dimensions	T x W x L	mm	45 x 100 x 1,070
Chassis	22	Length to Fork Face	with std 2 - stage mast	mm	2,350
	23	Overall Width		mm	1,200
	24	Overhead Guard Height		mm	2,050
	25	Turning Radius	minimum outside	mm	2,150
	26	Fork Overhang	with std 2 - stage mast	mm	450
	27	Right Angle Stack	add load length and clearance	mm	3,795
	28	Ground Clearance	minimum loaded	mm	95
	29		center of wheelbase	mm	115
	30	Battery Compartment	length / width / height	mm	655 / 880 / 680
	Performance	31	Travel Speed	loaded / unloaded	kph
32		Lift Speed	loaded / unloaded	m/s	0.3 / 0.45
33		Lower Speed	loaded / unloaded	m/s	0.52 / 0.48
34		Max. Drawbar Pull	5 min. rating	kg	1,150
35			60 min. rating	kg	194
36		Max. Gradeability	5 min. rating	%	13
Systems	37	Controllers	drive / hydraulic (make, type)		SME, AC
	38	Motors	drive output (60 min. rating)	kW	8
	39		hydraulic output (15 min. rating)	kW	15
	40	Battery	type		Lead Acid
	41		voltage		48
	42		max. capacity (6 hour rating)	Ah	560
	43		weight, minimum / maximum	kg	900 / 1,200



Guangxi Liugong Machinery Co., Ltd.
 No. 1 Liutai Road, Liuzhou, Guangxi 545007, PR China
 T: +86 772 3886124 E: overseas@liugong.com
 www.liugong.com

02/2014 Designed by LiuGong

Specifications and designs are subject to change without notice. Machines shown may include optional equipment.